

# ROYAL AIRBRUSH

■ SPECIFICATIONS	AB-182	AB-182A
Nozzle diameter:	0.5mm	
Fluid Cup capacity:	22cc	

## ■ APPLICATIONS

Commercial arts, illustrations, photo retouching, hobby and crafts

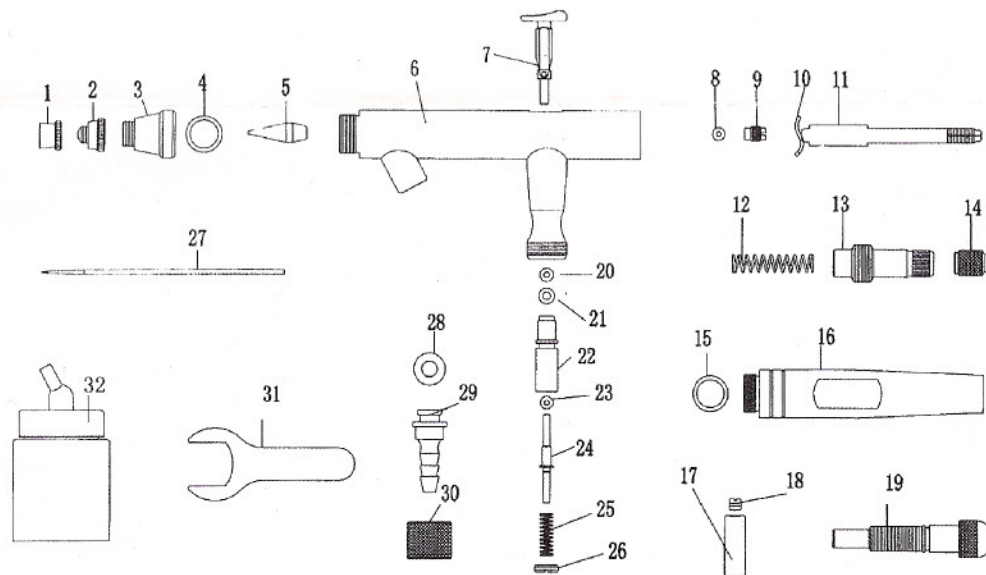
## ■ HOW TO SPRAY

1. Fill fluid in the cup after thinning appropriately.
2. Hold the airbrush lightly in your hand.
3. By pressing the main lever, a stream of air emerges. Then draw it backward gradually for Color atomization.
4. The spray pattern is in accordance with the distance between a work surface and a air brush.
5. For fine line spray, remove the needle cover and hold the air brush near a work surface.

## ■ MAINTENANCE

Empty the fluid cup and wash with water or solvent by a brush.  
 Refill cup with water or solvent, then block the needle cover with a finger and spray. The air flows backward into nozzle to clean the paints remained the air brush.

### PARTS DETAILS



- |                            |                               |                               |
|----------------------------|-------------------------------|-------------------------------|
| 1. Needle Cap              | 12. Spring                    | 23. Valve Rod O-Ring          |
| 2. Nozzle Cap              | 13. Spring Case               | 24. Valve Rod                 |
| 3. Head Cap                | 14. Needle Chucking Net       | 25. Valve Spring              |
| 4. O-Ring                  | 15. O-ring                    | 26. Valve Screw               |
| 5. Nozzle                  | 16. Standard-Handle Adjusting | 27. Needle                    |
| 6. Body                    | 17. Bush                      | 28. O-Ring for Hose Connector |
| 7. Operation Lever         | 18. Filature                  | 29. Hose Connector            |
| 8. O-Ring for Needle Guide | 19. Adjusting Screw           | 30. Hose Connector Nut        |
| 9. Needle Guide            | 20. O-Ring                    | 31. Head Cap Spanner          |
| 10. Lever Guide            | 21. O-Ring                    | 32. 22 cc Glass Jar assembly  |
| 11. Needle Chucking Guide  | 22. Air valve Guide Body      |                               |